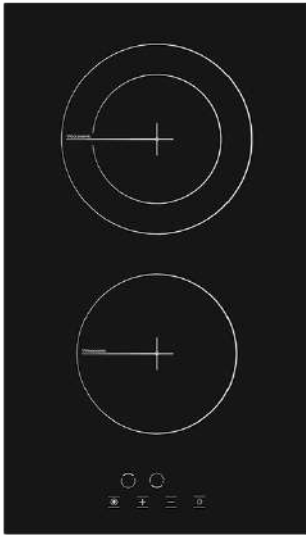


2-burner cooker

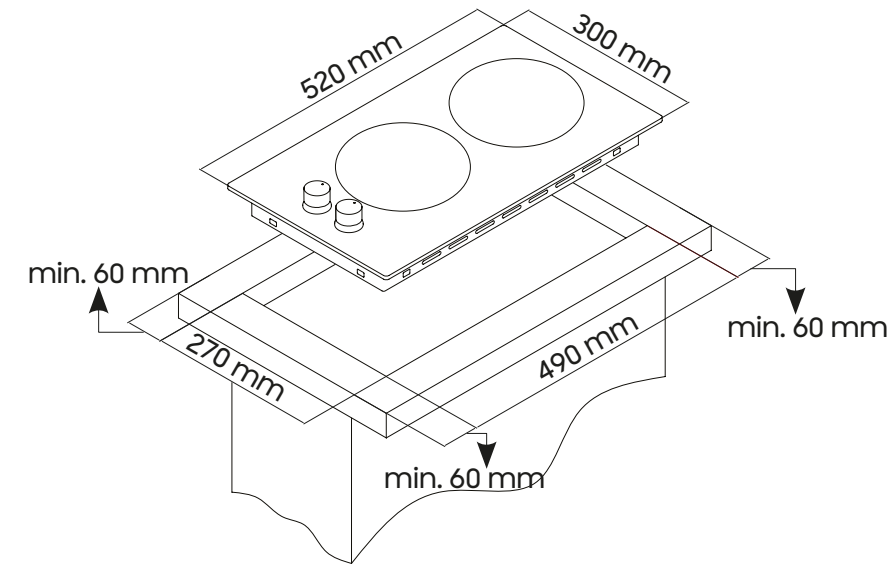
Electrical



Characteristics

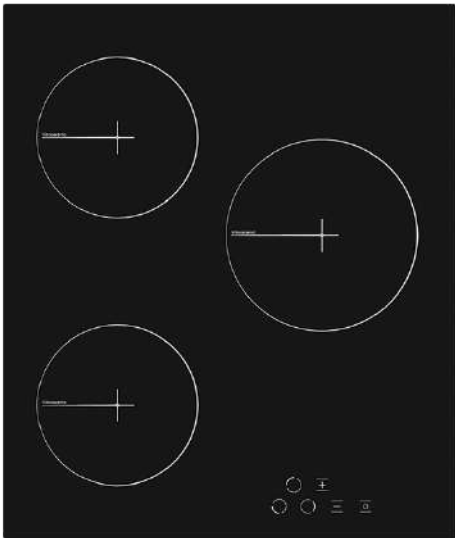
- 30 cm
- Vitroceramic Built In Hob
- 2 Hi-Light Heater Zones
- Touch Control
- 9 Power Levels
- Safety Lock
- Residual Heat Indicators
- Front Control
- Automatic Safety Cut-Out
- 1 x Ø140: 1200 W
- 1 x Ø180: 1800 W - 1700 W / 700 W

Dimensions



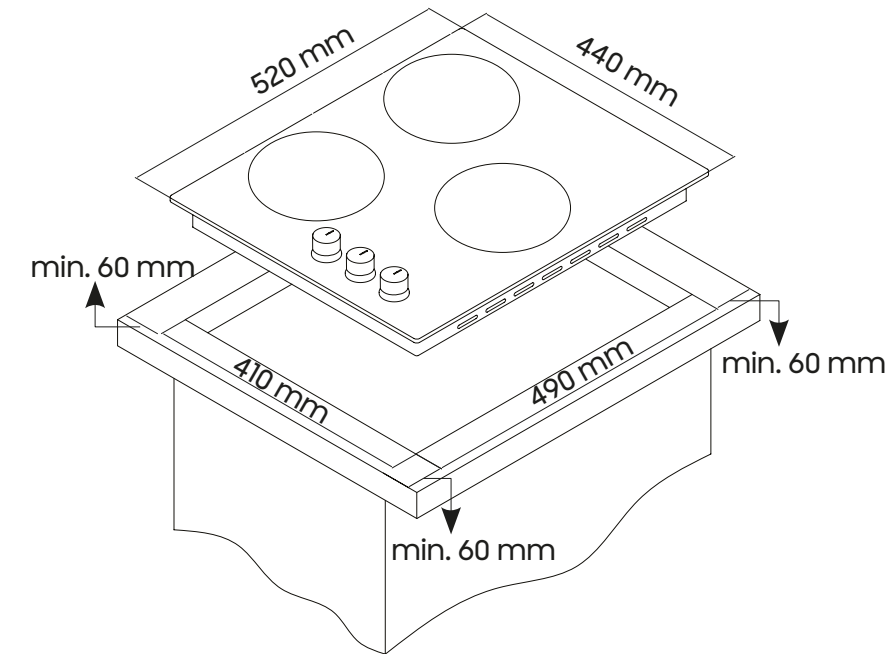
3-burner cooker

Electrical



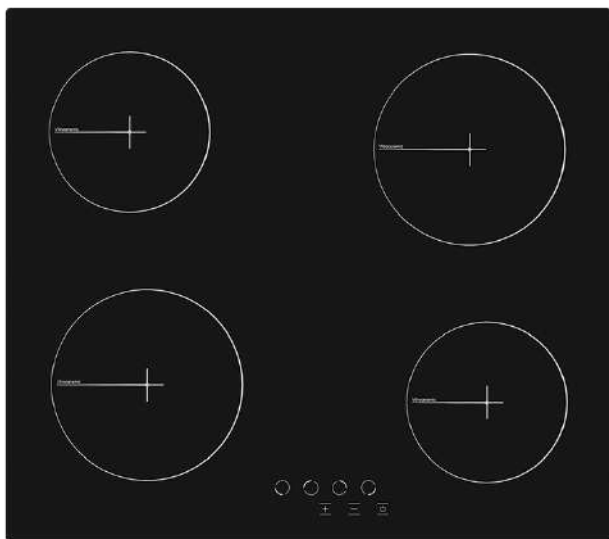
Characteristics

- 45 cm
- Vitroceramic Built In Hob
- 3 Hi-Light Heater Zones
- Touch Control
- 9 Power Levels
- Safety Lock
- Residual Heat Indicators
- Front Control
- Automatic Safety Cut-Out
- 2 x Ø140: 1200 W
- 1 x Ø180: 1800 W



4-burner cooker

Electrical



Characteristics

- 60 cm
- Vitroceramic Built In Hob
- 4 Hi-Light Heater Zones
- Touch Control
- 9 Power Levels
- Safety Lock
- Residual Heat Indicators
- Front Control
- Automatic Safety Cut-Out
- 2 x Ø160: 1200 W
- 2 x Ø180: 1800 W

