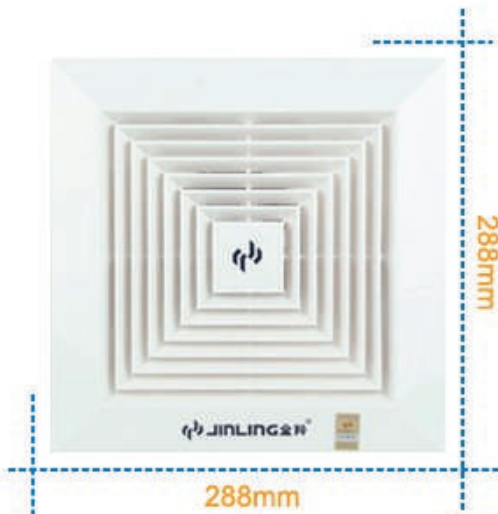
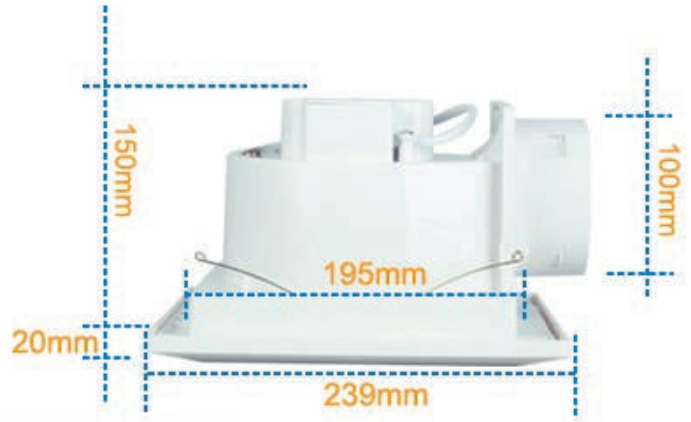
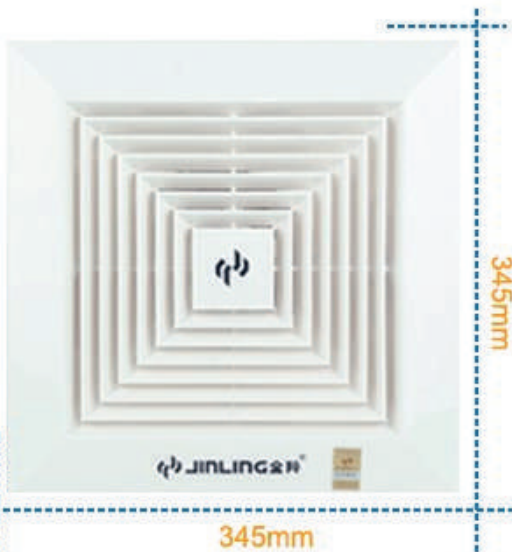
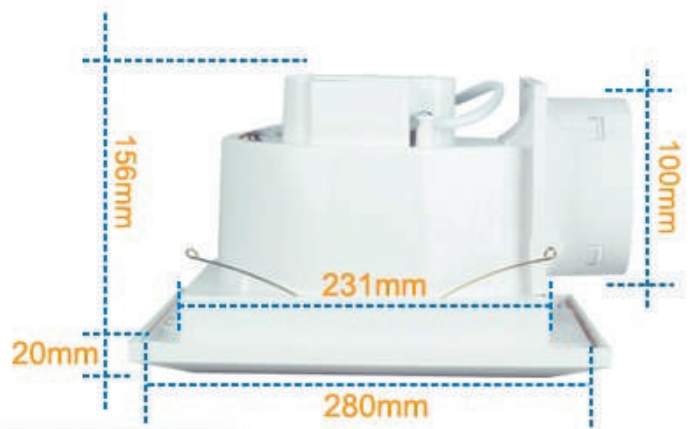


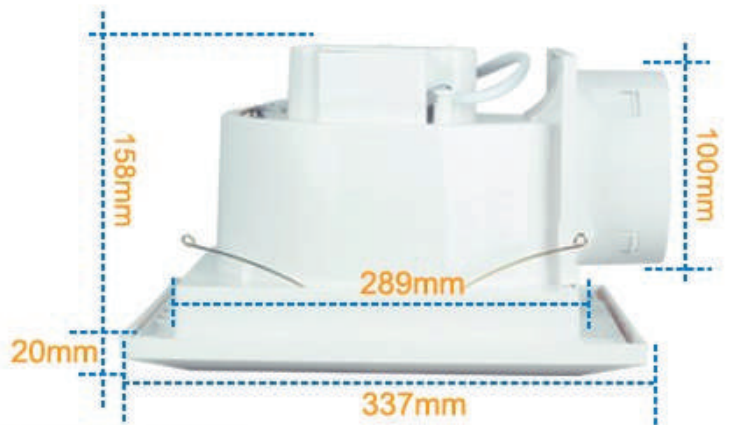
BPT10-12-30(P7A) / (p7B)



BPT15-12-30(P7A) / (p7B)

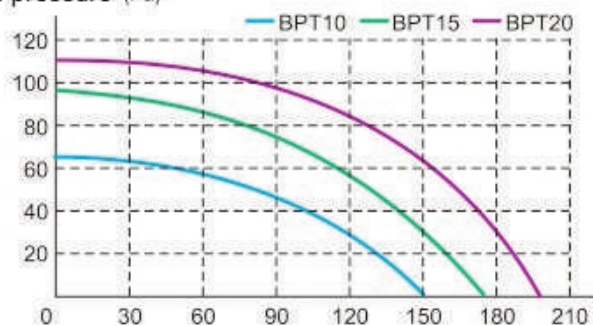


BPT20-12-30(P7A) / (p7B)

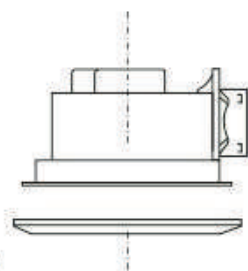


Model	Size	Volts	Rating Data	Air delivery	Wind pressure	Noise	Installation dimension	Certificate
<b>BPT10-12-30(P7A)</b>	4"/100mm	220-240V~ 50Hz	26W	150m <sup>3</sup> /h	65Pa	45dB(A)	200x200mm	CB/Saso
<b>BPT15-12-30(P7A)</b>	6"/150mm	220-240V~ 50Hz	28W	174m <sup>3</sup> /h	98Pa	46dB(A)	240x240mm	CB/Saso
<b>BPT20-12-30(P7A)</b>	8"/200mm	220-240V~ 50Hz	32W	192m <sup>3</sup> /h	110Pa	48dB(A)	290x290mm	CB/Saso

static pressure (Pa)



Air volume (m<sup>3</sup>/h)



*Optional White or Black color fan body:*



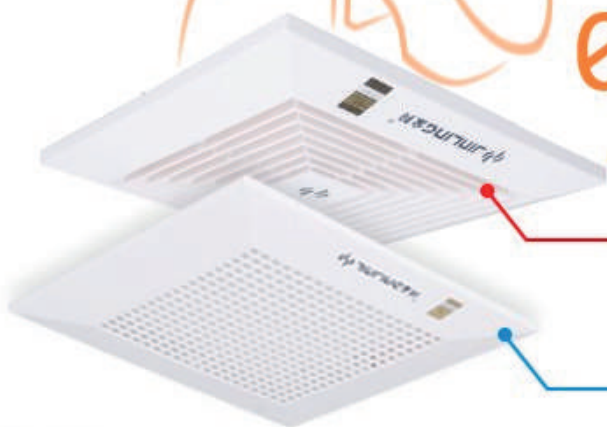
# 01

**100%** Copper Shaded-pole Motor with thermal protector, sleeve bearing or ball bearing for choosing.



# 02

**ABS optional Panel** (Panel A/B), strong stability, high heat resistant, not easy to change color.



Panel A

Panel B



# 03

High quality **new PP Fan** body, non-toxic, harmless, high toughness and highly cost effective. .



# 04

**Efficient Blower wheel** design perfect matching the motor and the volute, provides powerful airflow and low noise.



Efficient Blower wheel design

**05** The professional **Separable Air outlet** design makes the installation more convenient and easier.



**06**

The **optimized design Volute** can improve the air exchange efficiency and reduce the noise..